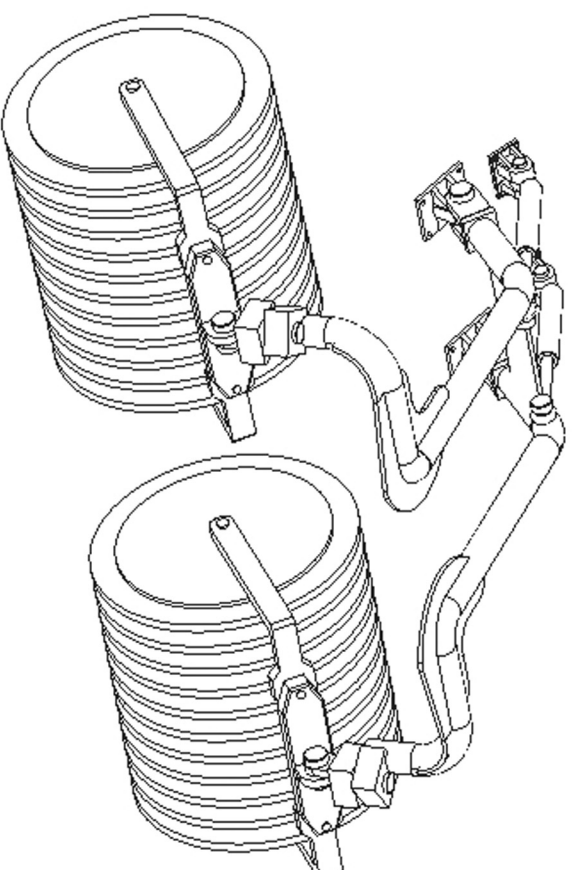
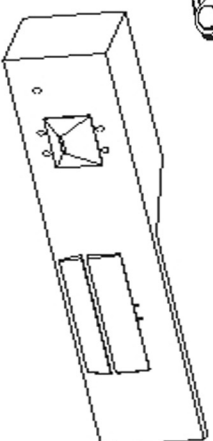
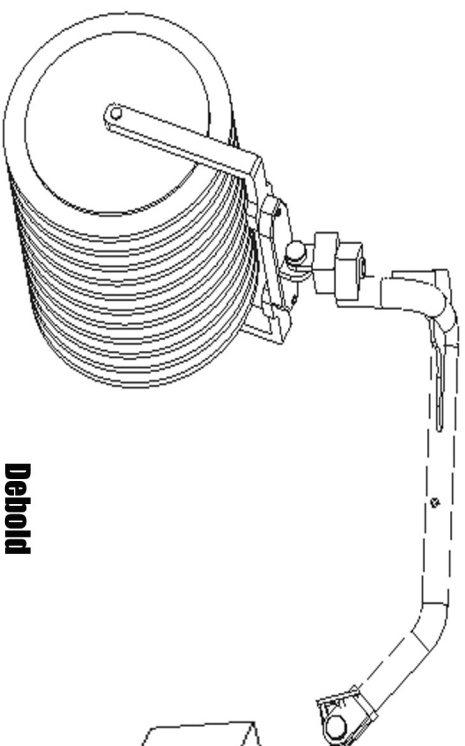
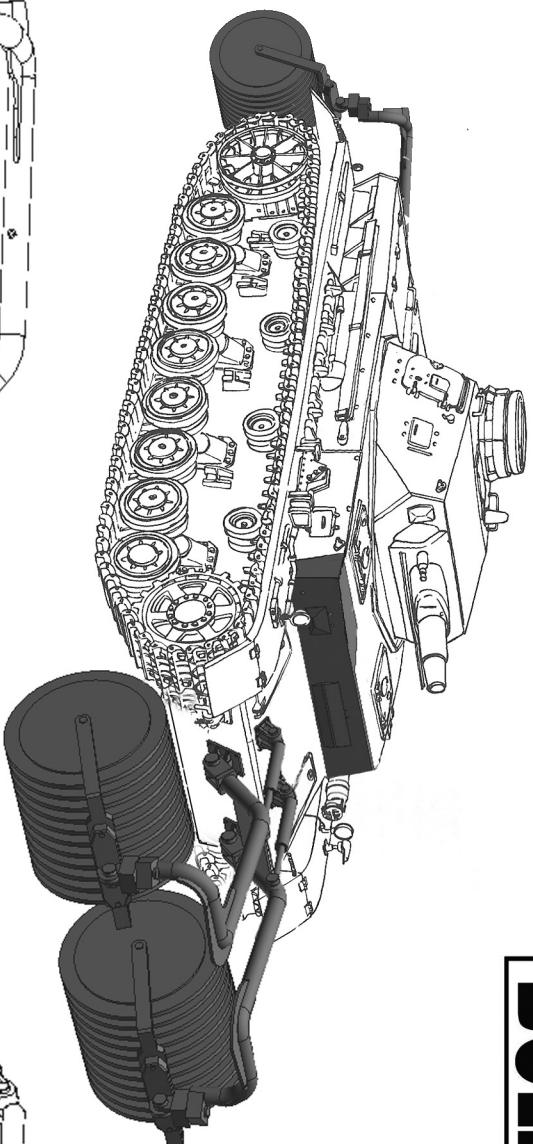
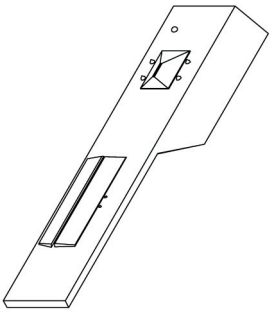


BOLDIVISION

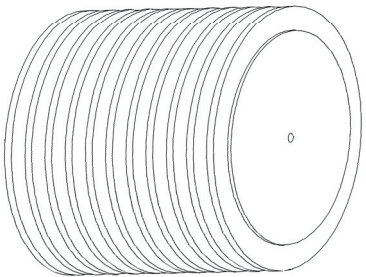


Debold
Henricistr. 14
04177 Leipzig
Germany
E-Mail: bestellung@boldivision.de

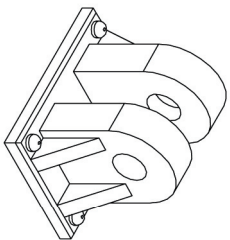
1 (for Tamiya)
(for Dragon and HobbyBoss
just take kit parts)



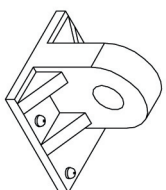
2 (x3)



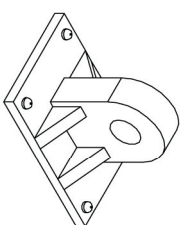
5 (x3)



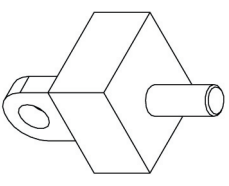
6



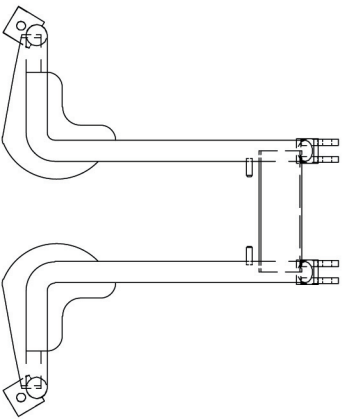
7 (x2)



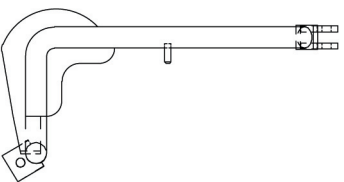
8 (x3)



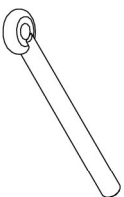
3



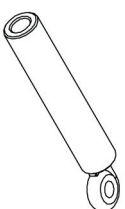
4



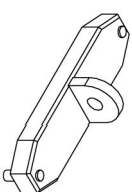
9 (x3)



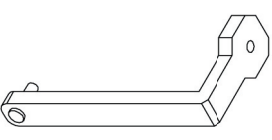
10 (x3)



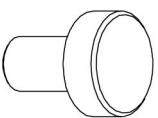
11 (x3)



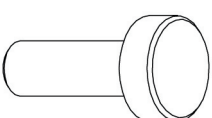
12 (x6)



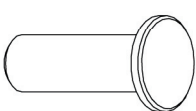
13 (x3)



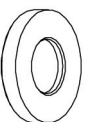
14 (x3)



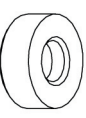
15 (x3)



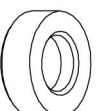
16 (x3)



17 (x3)



18 (x3)

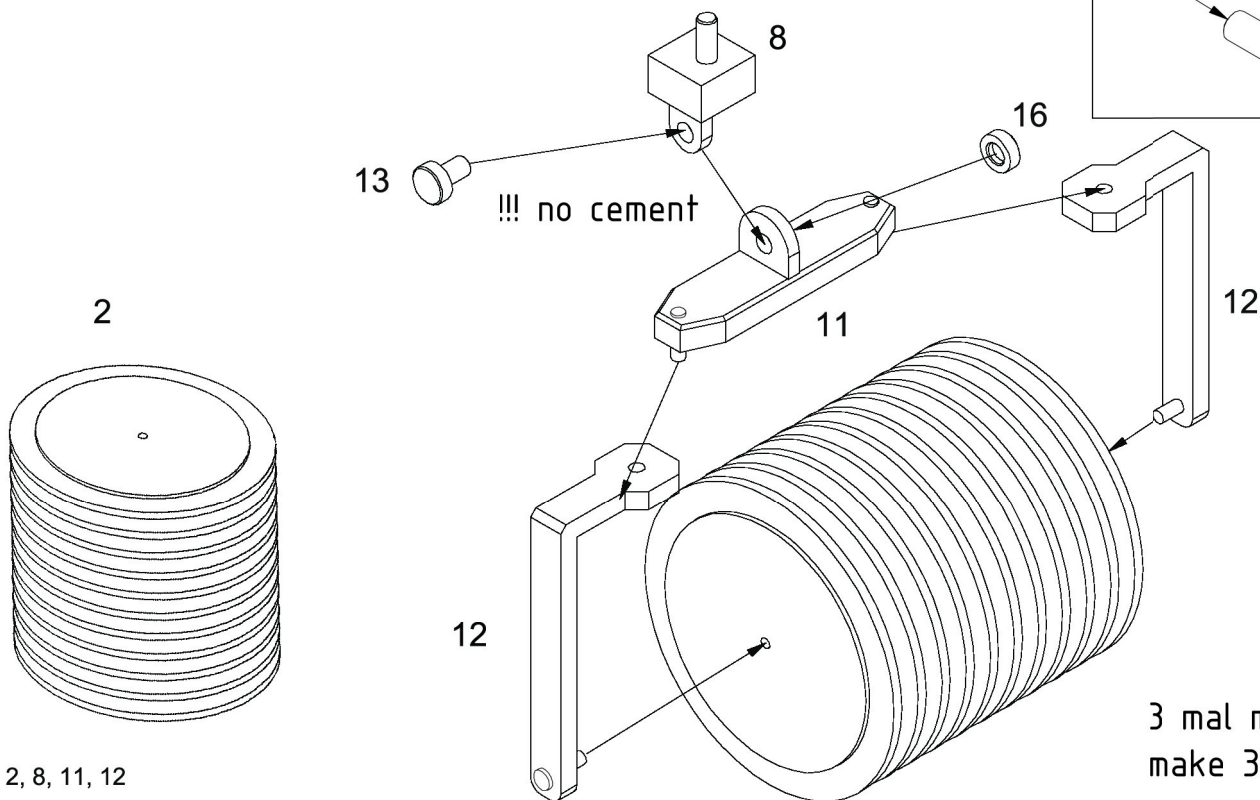
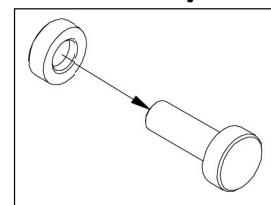


Open Hole
Loch bohren

1

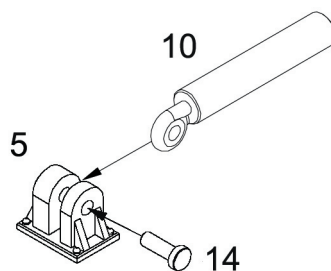
use BoldDivision parts
2 (x3), 8 (x3), 11 (x3), 12 (x6), 13 (x3), 16 (x3)

cement only here



2, 8, 11, 12

use BoldDivision parts
5 (x3), 10 (x3), 14 (x3)



3 mal machen
make 3



5, 10

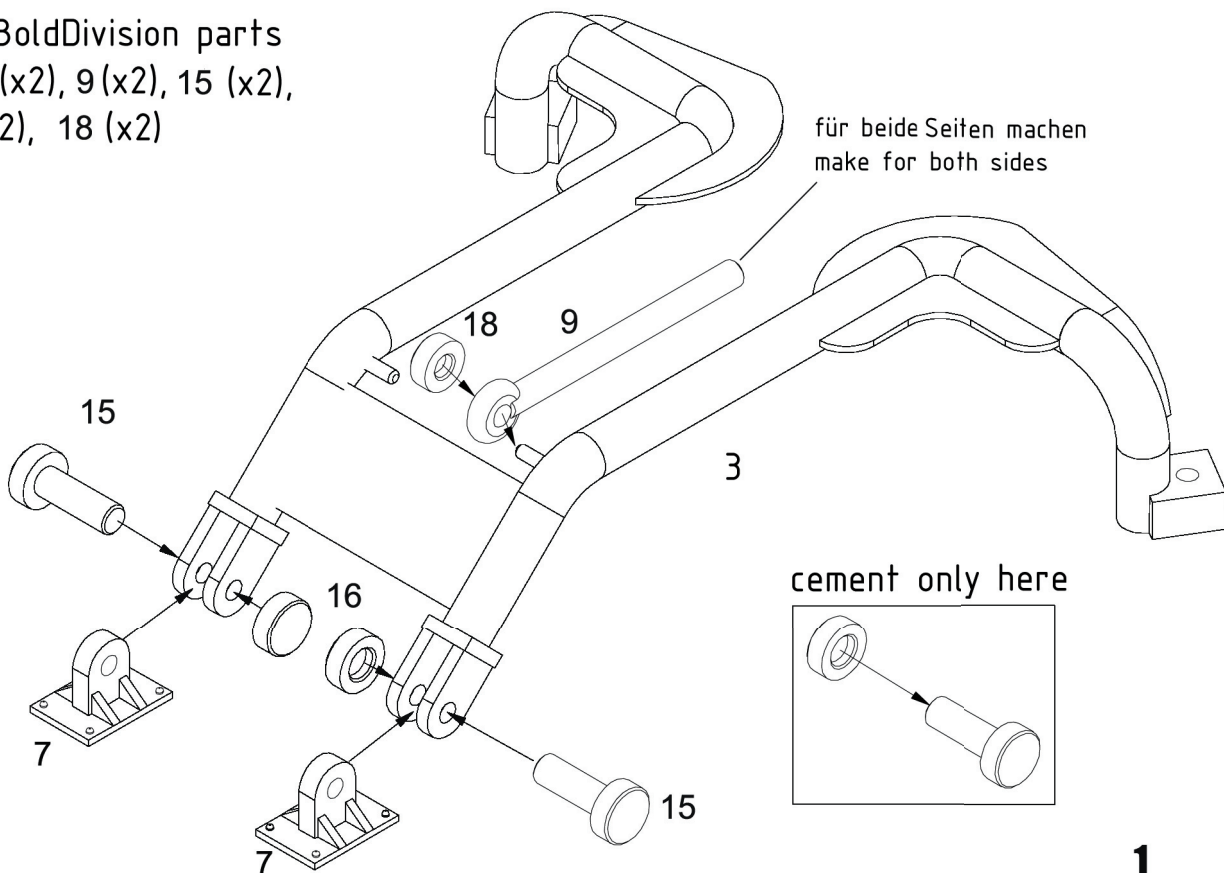
2

use BoldDivision parts
3, 7 (x2), 9 (x2), 15 (x2),
16 (x2), 18 (x2)

für beide Seiten machen
make for both sides

!!! no cement

cement only here



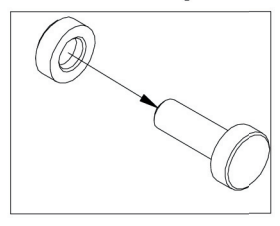
3, 7, 9

1

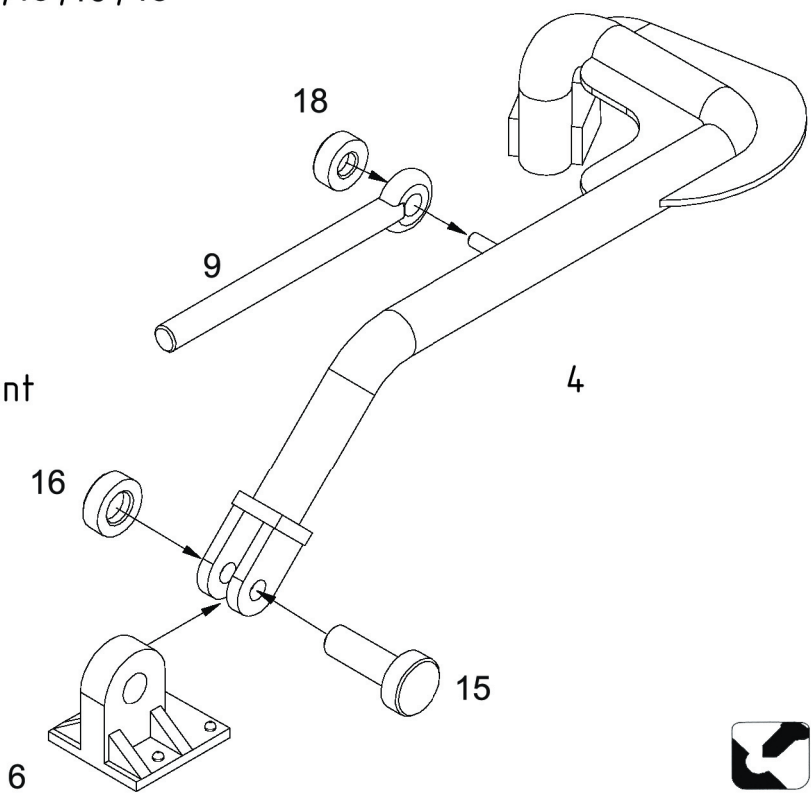
3

use BoldDivision parts
4, 6, 9, 15, 16, 18

cement only here



!!! no cement



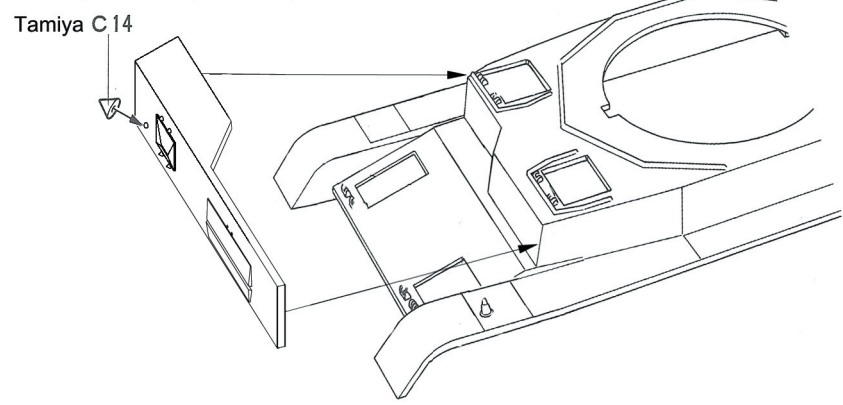
4, 6, 9

4

for Tamiya kit 35096 use BoldDivision part 1

Tamiya Schritt 6: Teil C22 ersetzen

Tamiya step 6: replace part C22



5

Das Basismodell zusammenbauen, Tamiya, Dragon oder HobbyBoss / Tristar.
Built up basemodell Tamiya, Dragon or HobbyBoss / Tristar.

6

use BoldDivision part 17 (x3)

